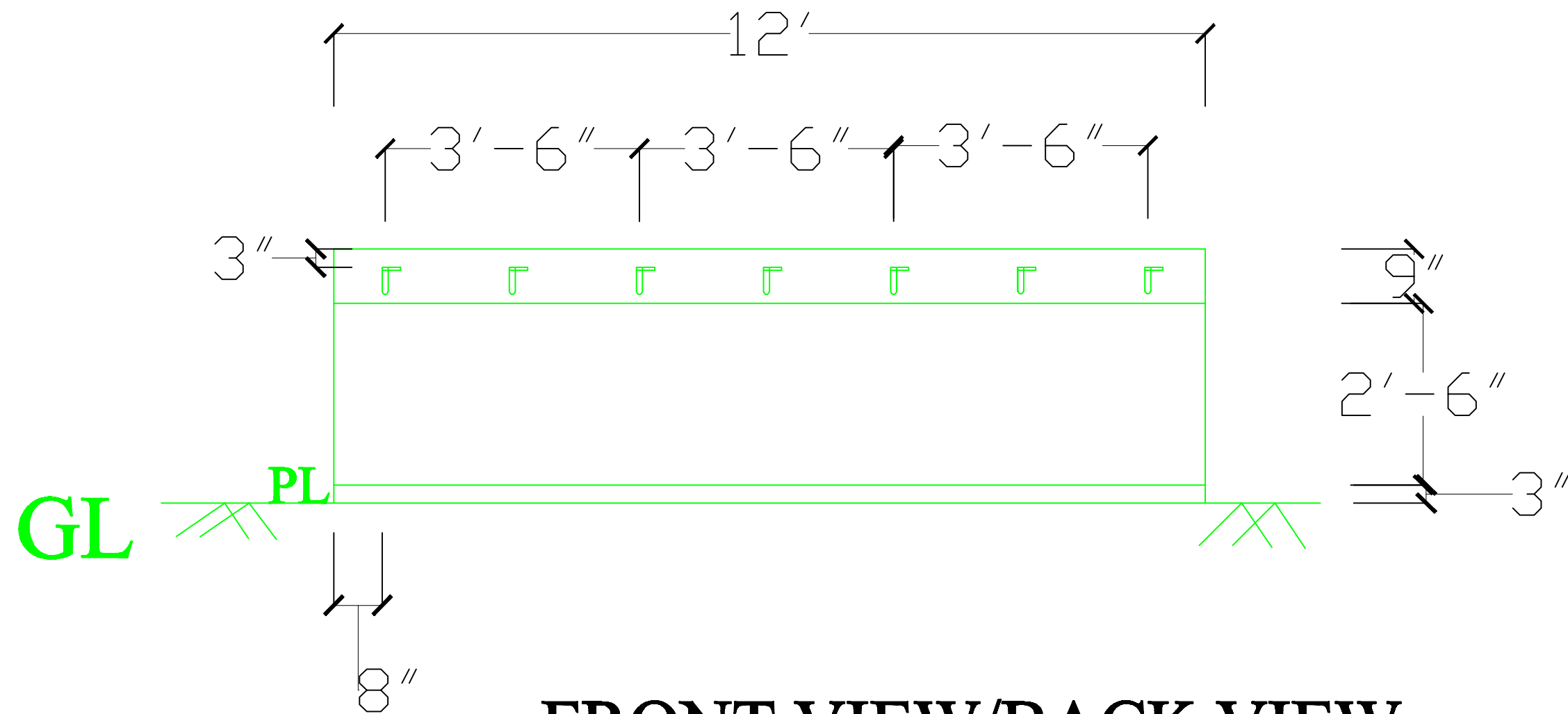
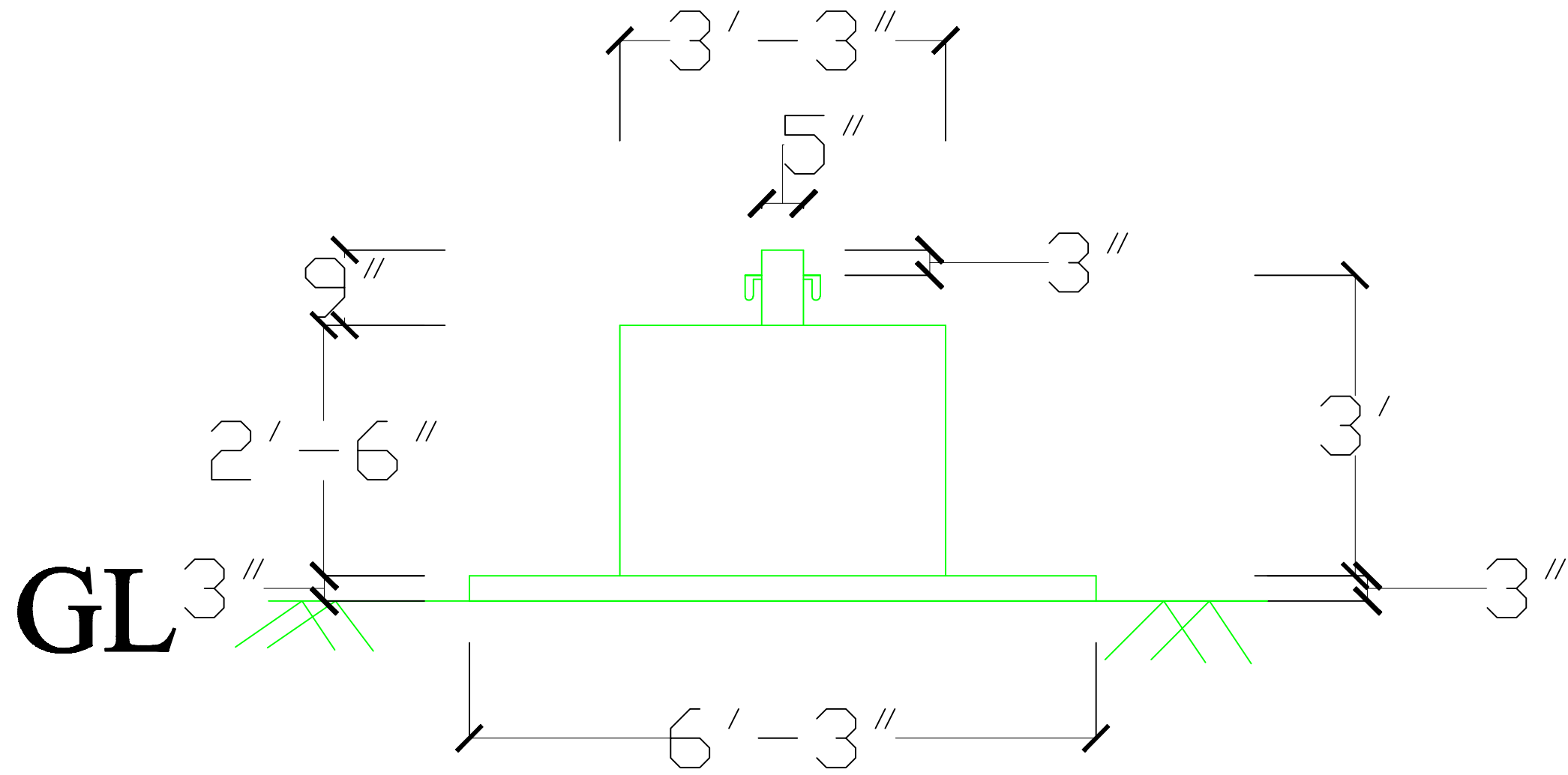


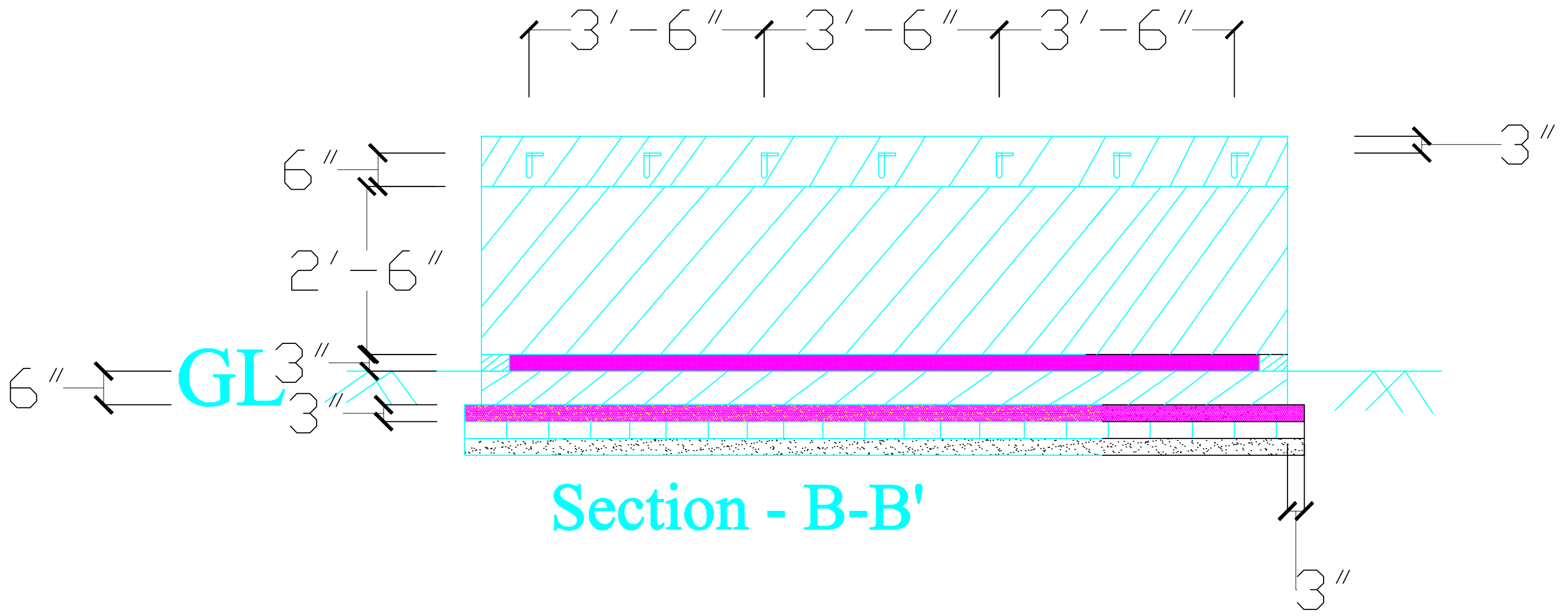
PLAN/TOP VIEW



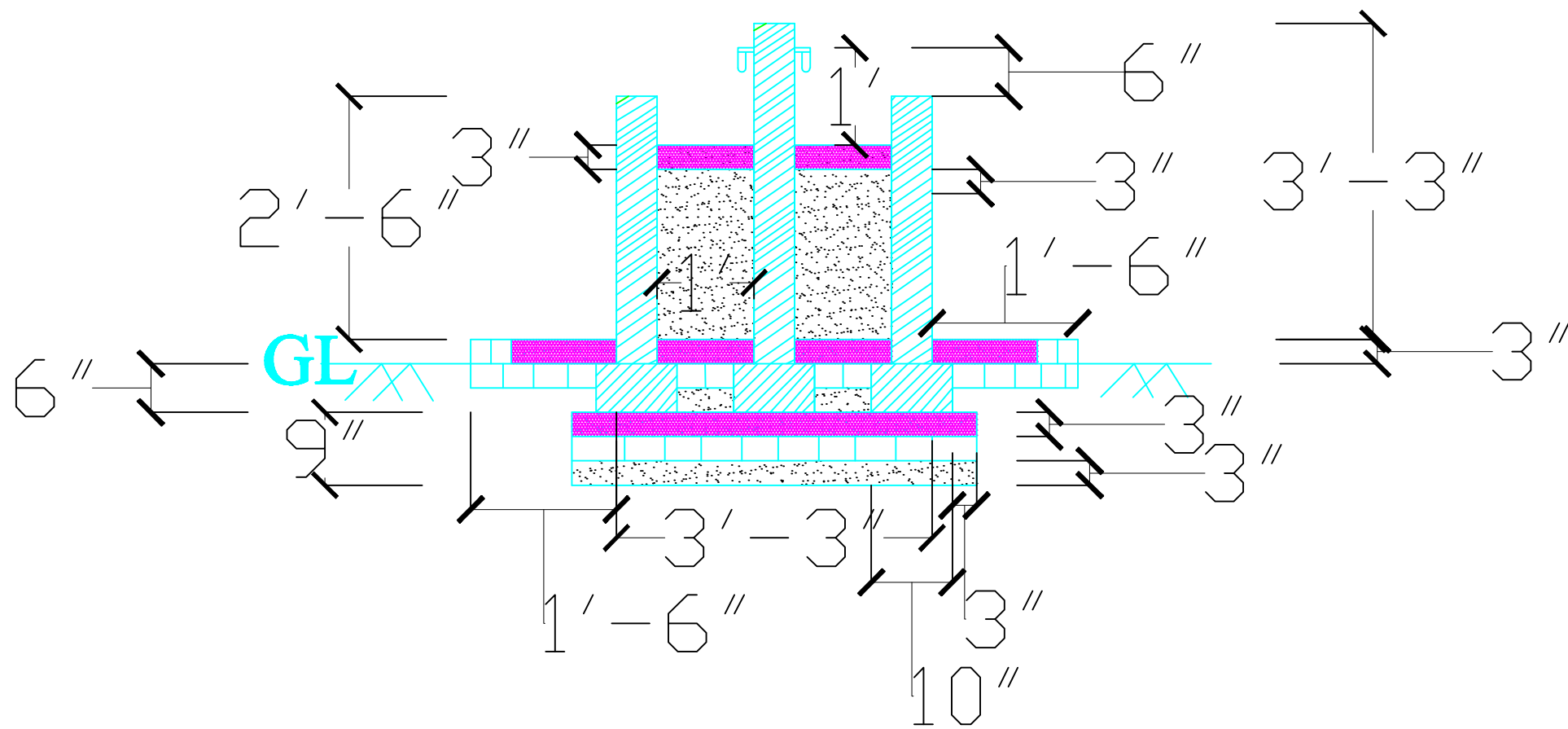
FRONT VIEW/BACK VIEW



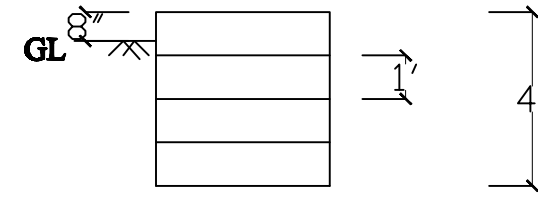
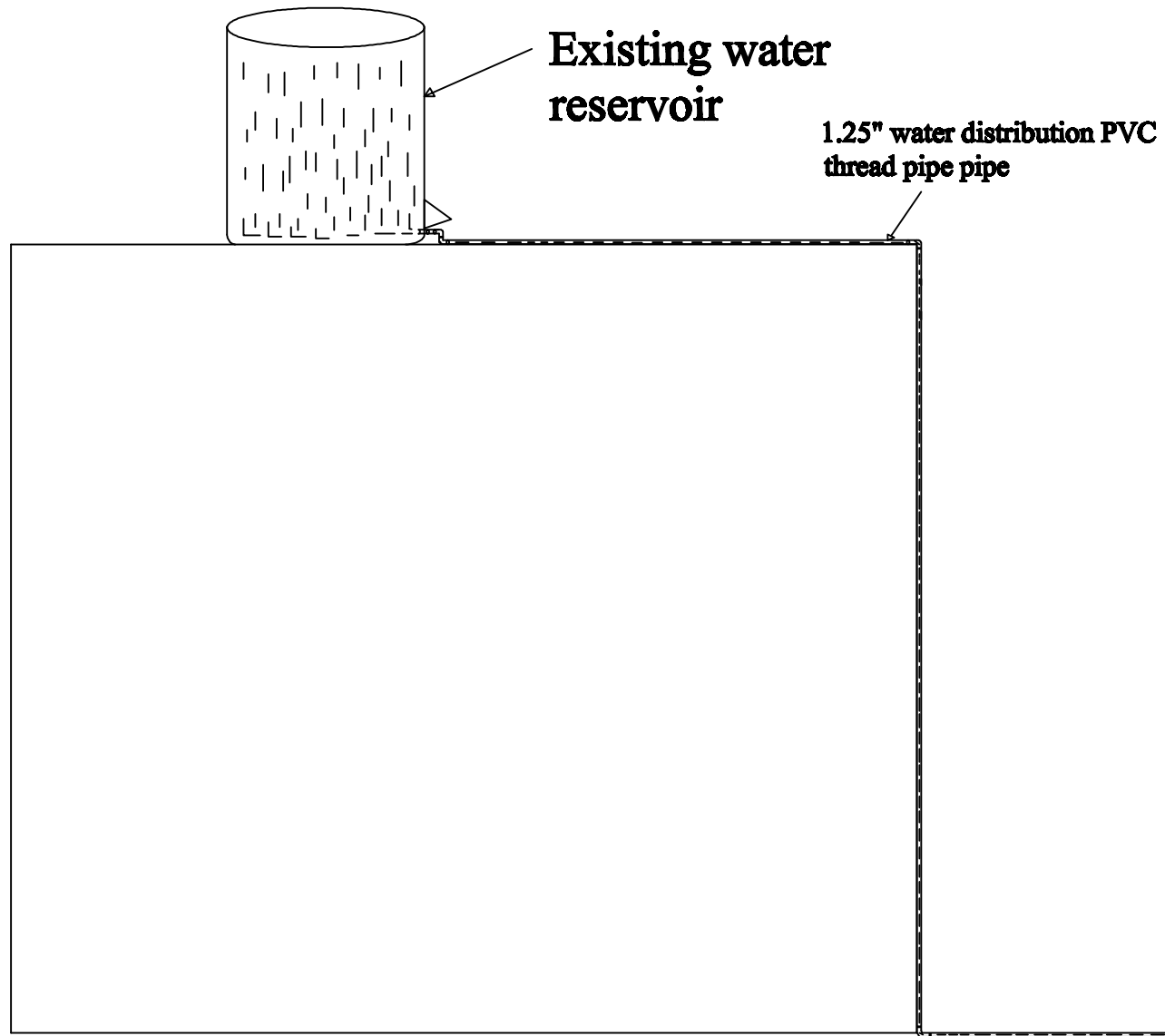
SIDE VIEW



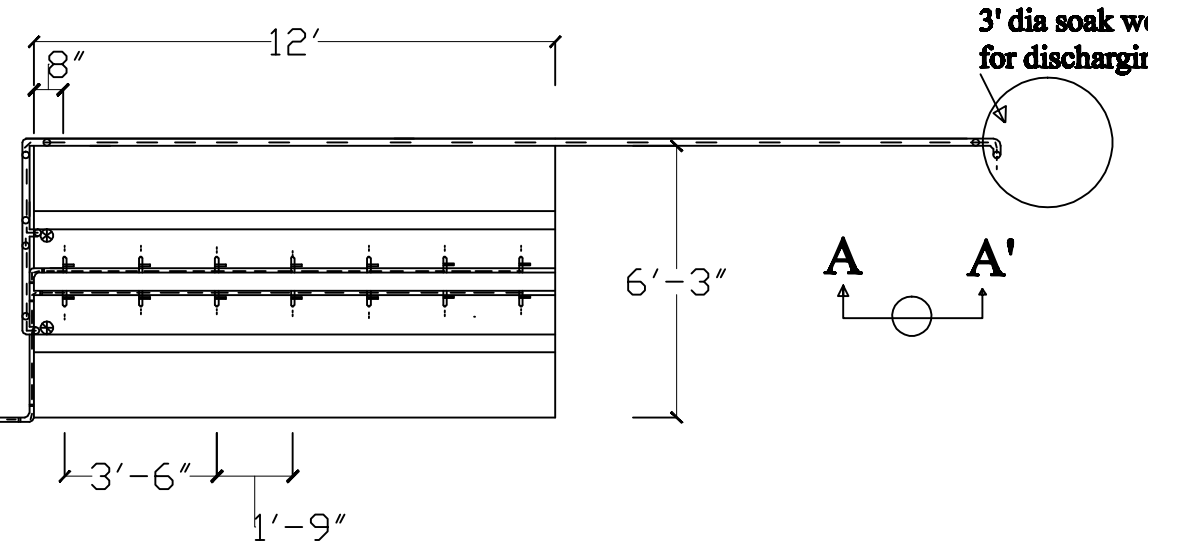
Section - B-B'



SECTION: A-A'



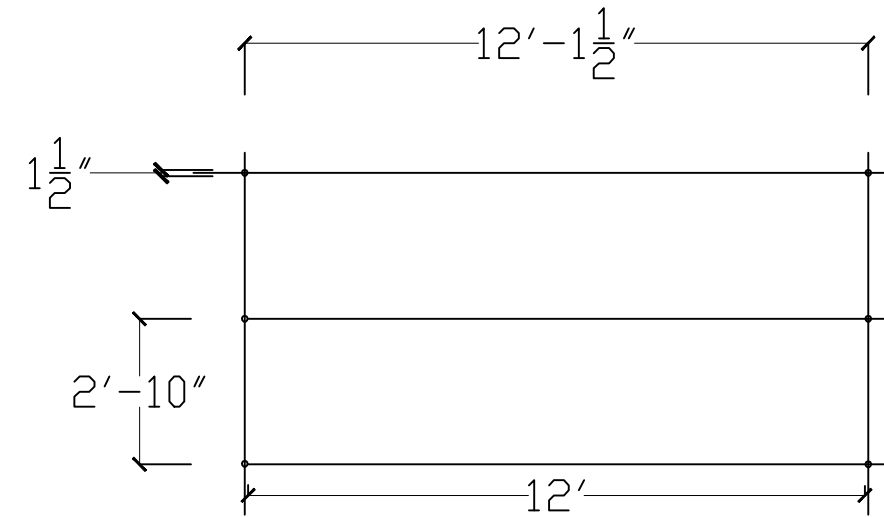
Section of soak pit



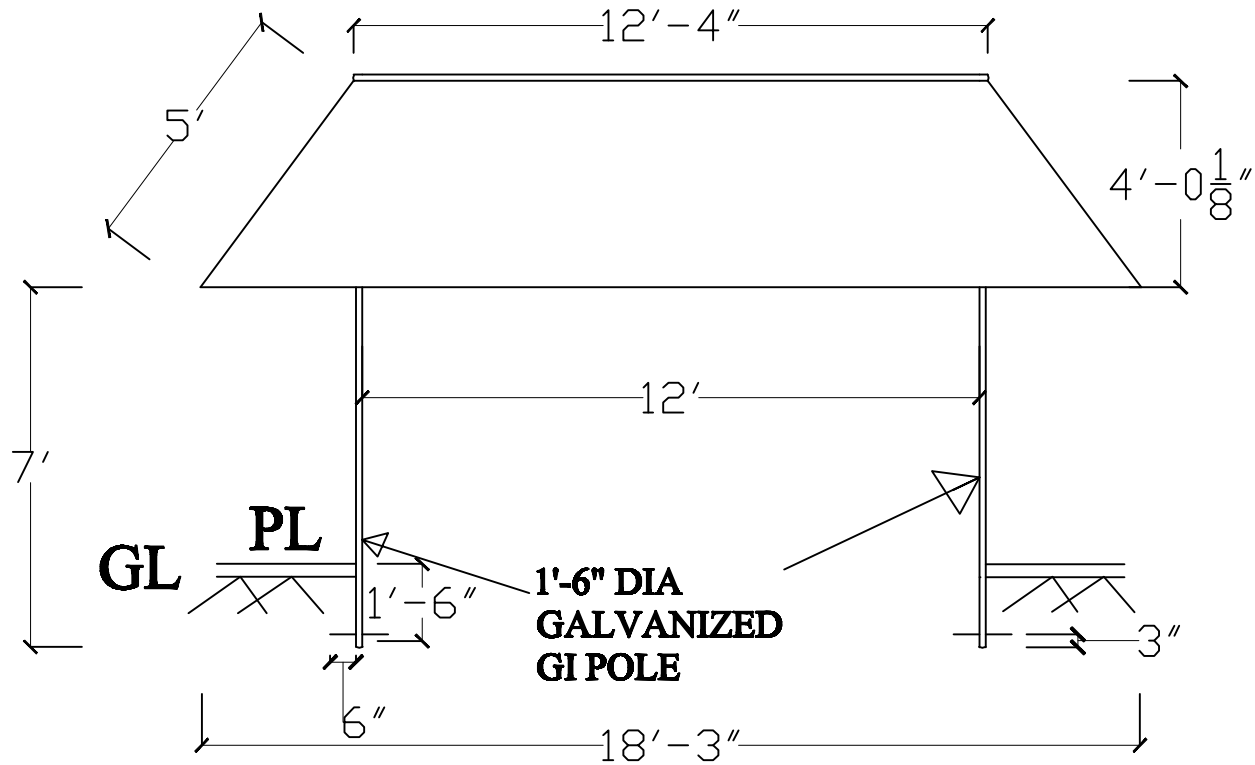
PLAN/TOP VIEW



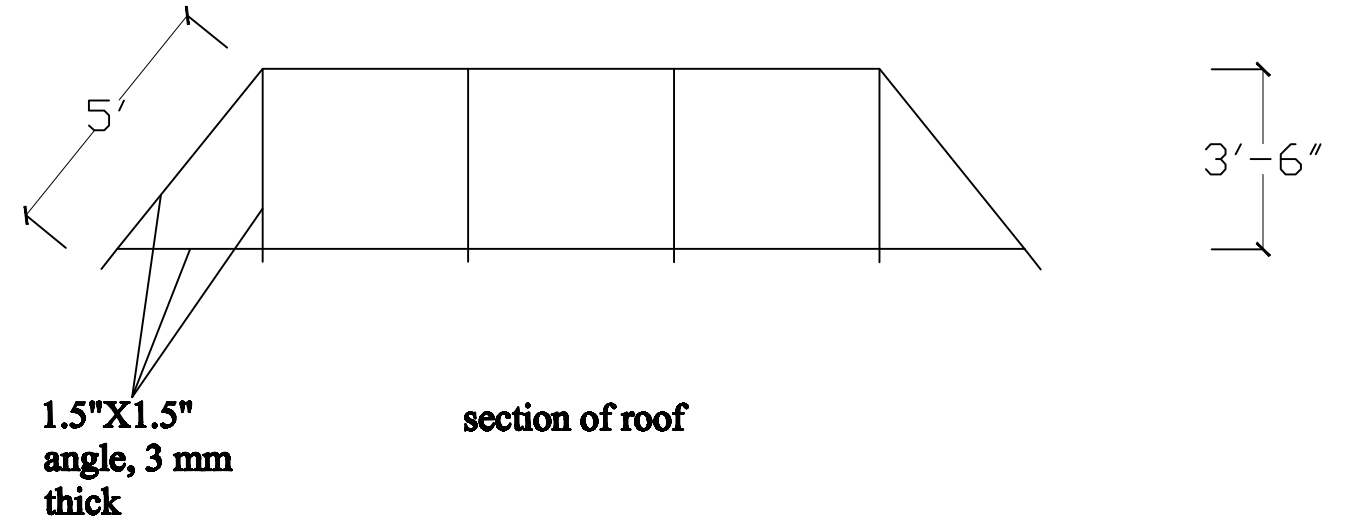
Top of roof

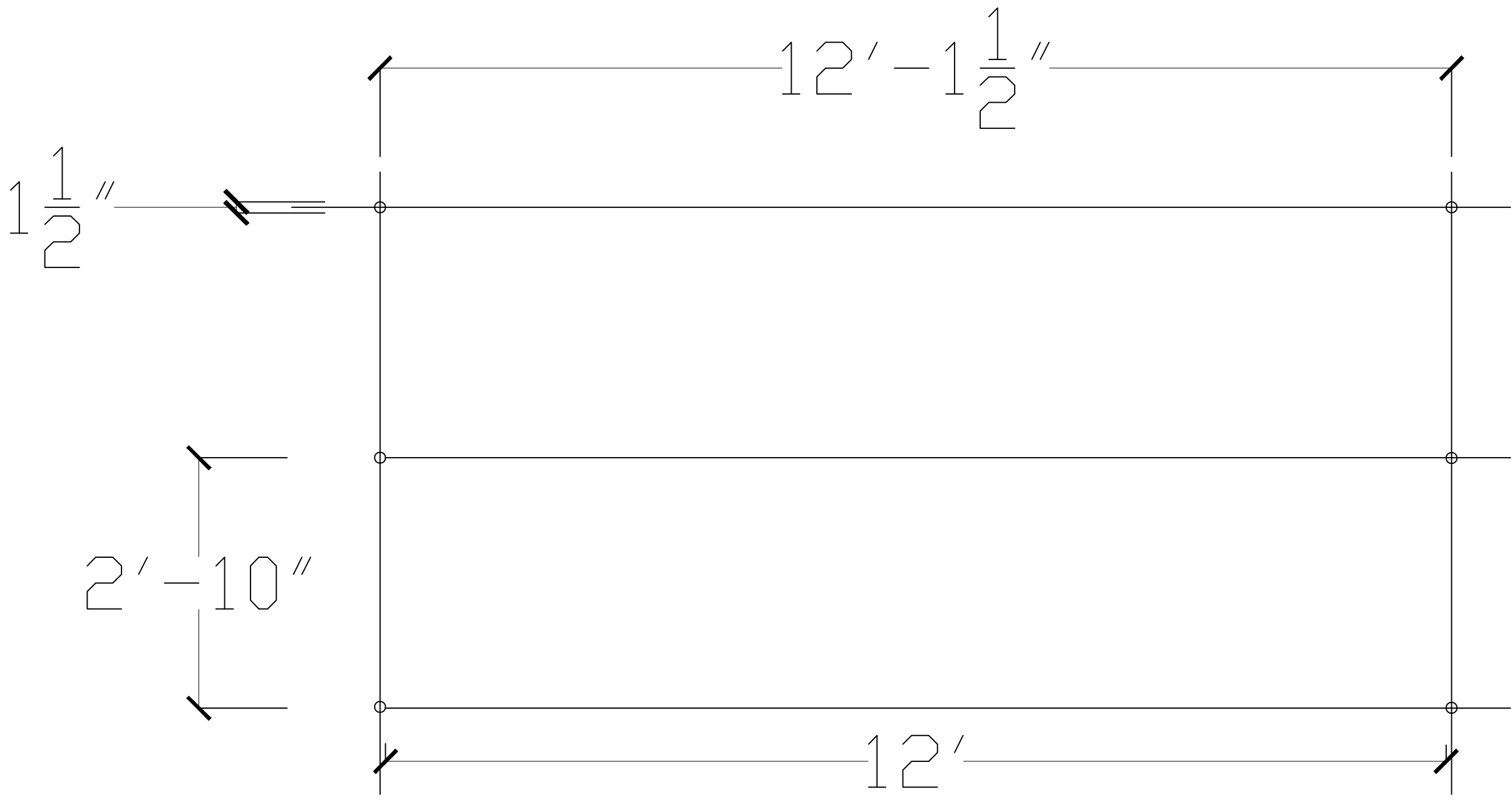


Layout of 1.5" Dia GI Pole



Front view of 1.5" shade





1.5" dia Galvanized GI hollow pipe

